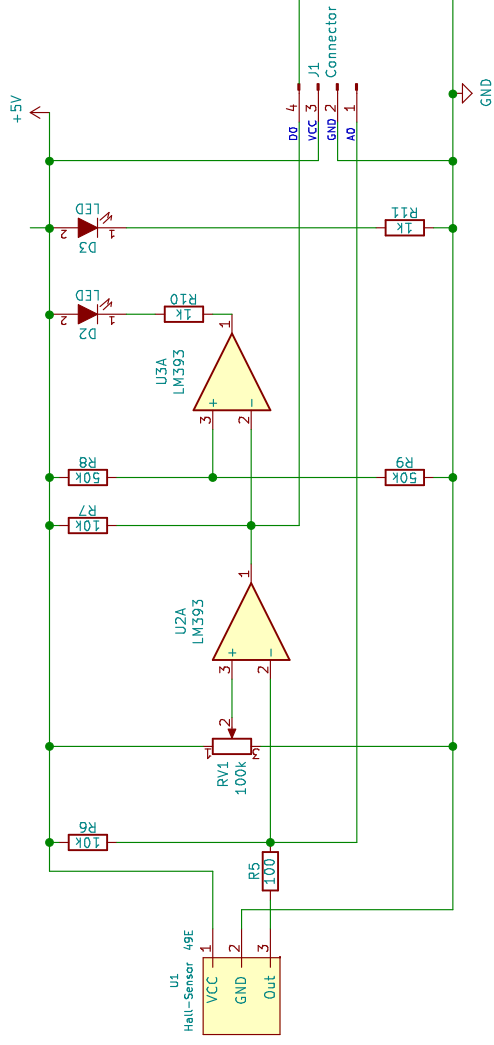
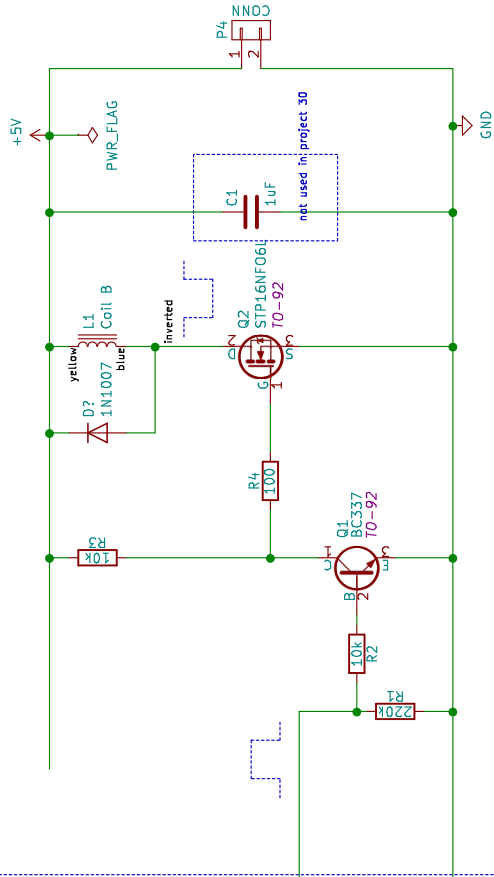


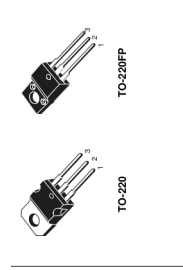
Levitation Controller Board (a modified KY024 Board)



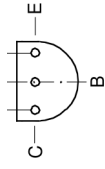
Coil Driver , Inverted Signal



STP16NF...



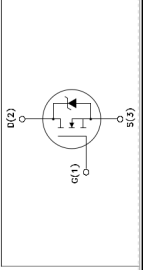
BC337



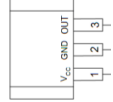
Coil B

1500 Windings
Cu 0,22mm
d=7mm
D=15mm
L=24mm
Metal core: Screw M6

INTERNAL SCHEMATIC DIAGRAM



49E



Modified KY025 Board
see also: [30]Schwebeobjekt
Ridolfa.eu

Sheet: /
File: levi.sch

Title: [25]MagneticLevitation

Size: A4 | Date: 2019-08-19
KiCad E.D.A. | kicad 5.1.4--e60b26684ubuntu16.04.1

Rev. 1.3
Id: 1/1